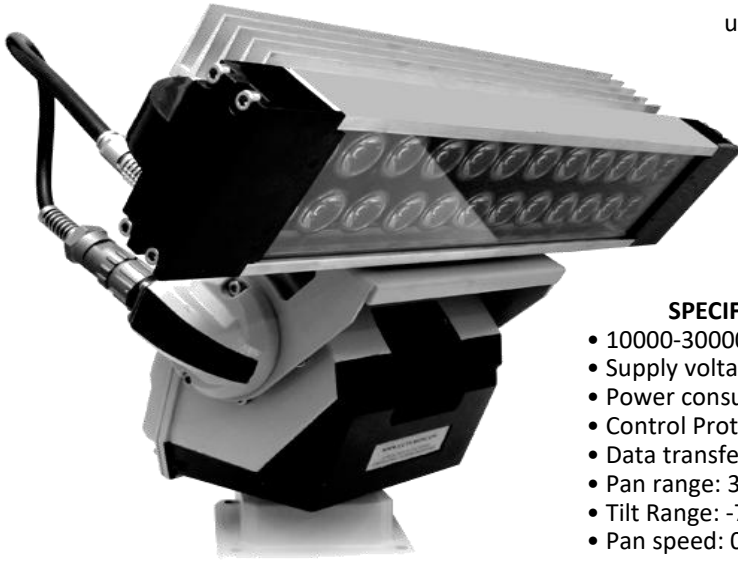


SPOTLIGHTS ON CONTROLLED PAN-TILT PLATFORMS

The devices are designed for outdoor use, as part of perimeter security systems, using the PELCO-D protocol using the RS-485 communication line.



Contents of delivery:

1. LED spotlight
2. Pan-tilt platform
3. Shockproof plastic case
4. Passport, user's manual

SPECIFICATIONS

- 10000-30000K white cold spectrum LEDs, with 10°, 20° and 30° optics
- Supply voltage: 12 V DC (12 V DC) ± 10%
- Power consumption: no more than 50 Watts
- Control Protocol: PELCO-D
- Data transfer rate: 1200/2400/4800/9600 bps
- Pan range: 360 ° (continuous rotation)
- Tilt Range: -70 ° ~ + 20 ° (relative to the horizon)
- Pan speed: 0.8 ° - 35 ° per second
- Tilt Speed: 0.8 ° - 20 ° per second
- Device Address: 0-255
- Presets: maximum 255 memory positions
- Patrol: on a given route and manual control
- Preset rate: pan: 20 °, tilt: 20 ° per second
- Preset accuracy: ± 0.05 °
- Data transfer standard: RS-485 (via two-wire communication channel)
- Platform loading capacity: no more than 5 kg
- Outdoor all-weather performance, operation from: -30 ° C - + 55 ° C
- Aluminum housing, protection class: IP66
- Atmospheric pressure compensation valve
- Weight: 6kg

PURPOSE

The tilt-and-turn LED searchlight (hereinafter referred to as the device) consists of a telemetry receiver, tilt and rotation mechanisms, a searchlight based on super bright single-watt white-spectrum LEDs. The tilt-and-turn platform is made of aluminum alloy, coated with an anti-corrosion compound, waterproof, belongs to a series of intelligent installations with an internal decoder. The platform is equipped with two DC motors, two gearboxes, a heating system and a telemetry unit, it can independently carry out the functions of tilt and rotation along predetermined routes. A searchlight consists of 24 high power LEDs of a white radiation spectrum, an aluminum radiator (cooler), and stabilized voltage sources. The device is designed for outdoor use, as part of perimeter security systems, using the PELCO-D protocol using the RS-485 communication line.

Packaging

SHOCKPROOF FITO.CASE

The case is made of PP polypropylene, with additives resistant to subzero temperatures and resistant to ultraviolet exposure. Two folding end handles for easy transport. Four locks fasteners for reliable fixing of a cover of a case. Suitable for placement and transportation of expensive equipment.

- Lugs for locks and seals
- Foam damper
- Reliable locks with protection against accidental opening
- Reinforced ribs
- Protective material
- Special shockproof plastic
- Wear-resistant, strong and comfortable handle
- Automatic Atmospheric Valve
- Wear-resistant hinges
- Stainless steel pins
- Hermetic flange connection with neoprene gasket

- Case Material: Polypropylene
- External case dimensions: 500x480x170
- Case internal dimensions: 440x380x150
- Temperature range: -50 ° ~ + 80 ° C
- Weight: 4.3 kg, Color: black
- Density: 0.954 g / cm² GOST 15139-69
- Impact strength + 23 ° C: 12 KJ / m² GOST 4647-80
- Impact strength + 20 ° C: 7 KJ / m² GOST 4647-80

Gross Weight: 11 kg



FITO TECHNOLOGY

Trusted Solutions Provider in LED Lighting
Moscow, Russia.

